

FIRESTOP LISTINGS



RATED FIRESTOPS FOR PIPES, CONDUIT, AND CABLES

Firestop details 1 through 4 illustrate how pipe, conduit, or cable penetrations can be accomplished using firestop systems that are UL Listed, a summary of which is presented in Table 1. For detailed installation information, see the associated UL listing.

TABLE 1. COMPOSITE FIRESTOP LISTING



Penetrant	Max. Size	Ratings (Hours)		Listing
		F	T	
Cable Bundle*	2-1/2" \emptyset	2	2	F-E-3018
Copper Tubing (Min. Type M)	4" \emptyset	2	1/4	F-E-1027
Copper Pipe (Regular or Heavier)	4" \emptyset	2	1/4	F-E-1027
CPVC Pipe (See Detail for Allowable SDR)*	4" \emptyset	2	2	F-E-2035
	2" \emptyset	2	2	F-E-2039
	2" \emptyset	2	1/4	F-E-2037
Iron Pipe (Cast or Ductile)	4" \emptyset	2	2	F-E-1027
Pex Tubing (SDR 9)	2" \emptyset	2	1/2	F-E-2039
PVC Pipe (Schedule 40)"	4" \emptyset	2	2	F-E-2035
	2" \emptyset	2	2	F-E-2039
Rigid Non-Metallic Conduit (Schedule 40)	4" \emptyset	2	2	F-E-2035
	2" \emptyset	2	2	F-E-2039
Steel Pipe (Schedule 40)	4" \emptyset	2	2	F-E-1027
Steel Tubing (Conduit)	4" \emptyset	2	1/4	F-E-1027
XFR Pipe (Schedule 40)	4" \emptyset	2	1/2	F-E-2035

F - Fire Rating

T - Fire and Temperature Rating

NOTES

* See detail for allowable cables.

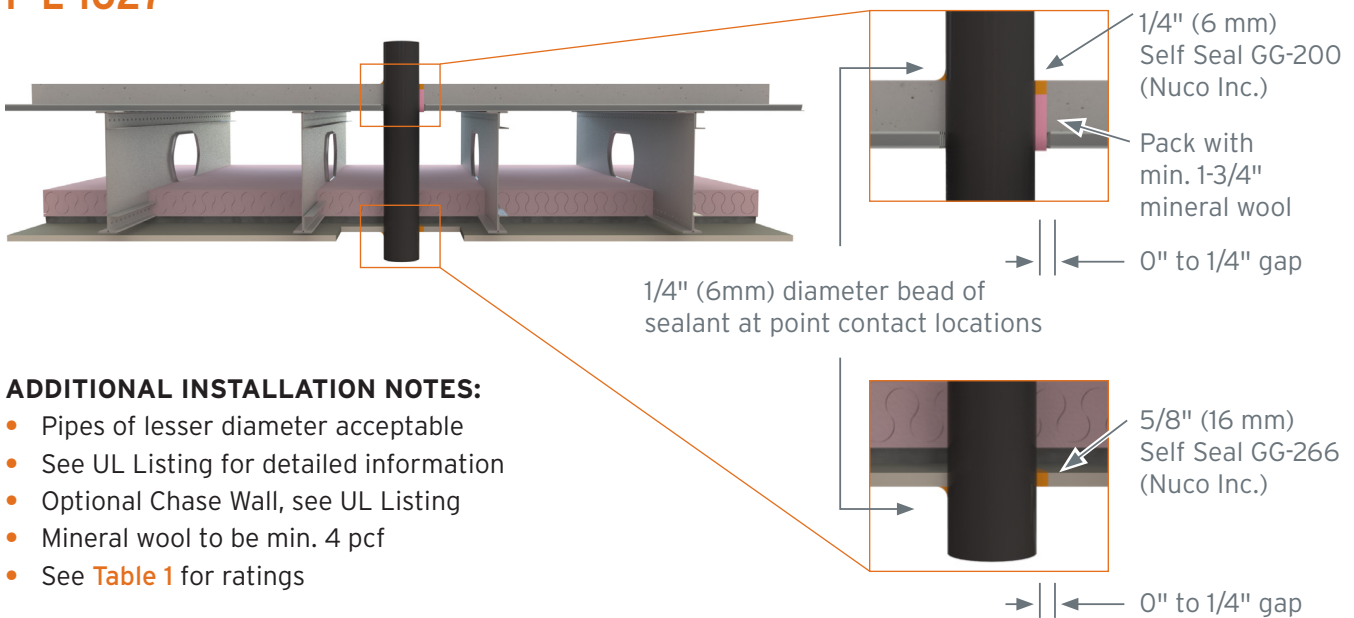
** Numerous listings are available, contact iSPAN Systems LP for more information

PENETRATION DETAILS

FIRESTOP DETAIL 1

4" COPPER, CAST IRON, EMT, OR STEEL PIPE

F-E-1027



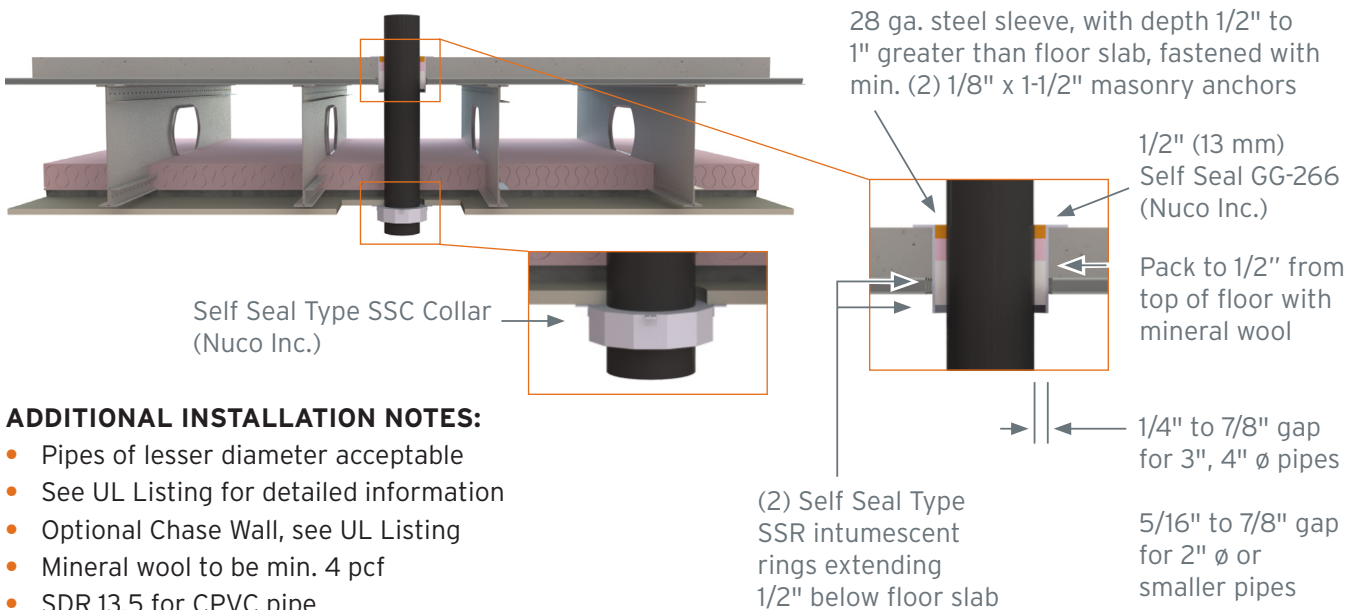
ADDITIONAL INSTALLATION NOTES:

- Pipes of lesser diameter acceptable
- See UL Listing for detailed information
- Optional Chase Wall, see UL Listing
- Mineral wool to be min. 4 pcf
- See [Table 1](#) for ratings

FIRESTOP DETAIL 2

4" PVC, CPVC, PVC CONDUIT OR XFR PIPE

F-E-2035



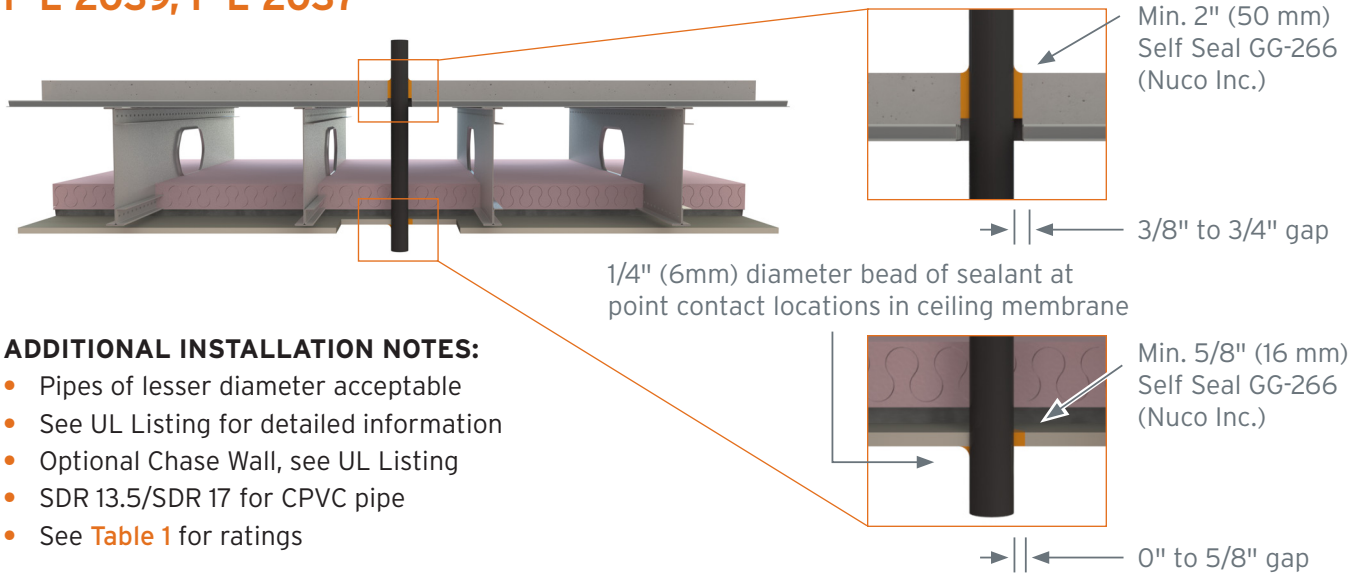
ADDITIONAL INSTALLATION NOTES:

- Pipes of lesser diameter acceptable
- See UL Listing for detailed information
- Optional Chase Wall, see UL Listing
- Mineral wool to be min. 4 pcf
- SDR 13.5 for CPVC pipe
- See [Table 1](#) for ratings

FIRESTOP DETAIL 3

2" PVC, CPVC, PVC CONDUIT OR PEX PIPE

F-E-2039, F-E-2037



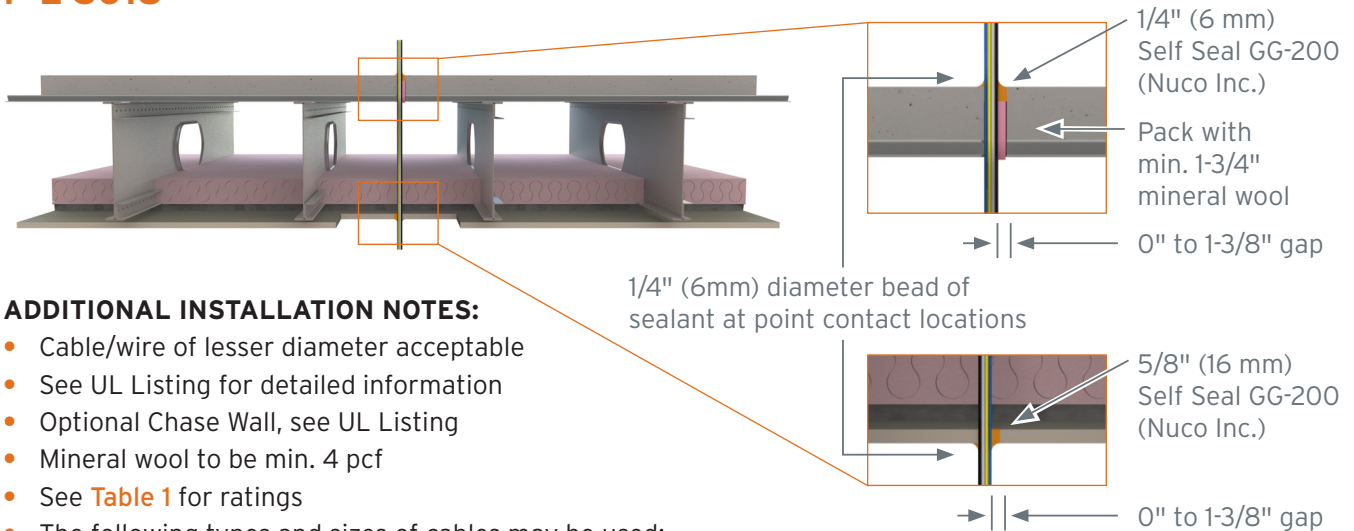
ADDITIONAL INSTALLATION NOTES:

- Pipes of lesser diameter acceptable
- See UL Listing for detailed information
- Optional Chase Wall, see UL Listing
- SDR 13.5/SDR 17 for CPVC pipe
- See [Table 1](#) for ratings

FIRESTOP DETAIL 4

MAX. 2-1/2" CABLE BUNDLE

F-E-3018



ADDITIONAL INSTALLATION NOTES:

- Cable/wire of lesser diameter acceptable
- See UL Listing for detailed information
- Optional Chase Wall, see UL Listing
- Mineral wool to be min. 4 pcf
- See [Table 1](#) for ratings
- The following types and sizes of cables may be used:
 - Max 2/C No. 12 AWG copper conductor, aluminum clad or steel clad (BX) cable.
 - B. Max 2/C No. 14 AWG copper conductor, aluminum clad or steel clad (BX) cable.
 - C. Through Penetrating Product* - Any cables, Armored Cable+ or Metal Clad Cable+ currently Classified under the Through Penetrating Product category.
 - Max 25 pair No. 22 AWG copper conductor with polyvinyl chloride (PVC) insulation and jacketing material.
 - Max 7/C No. 12 AWG copper conductor power and control cables with XLPE or PVC insulation with XLPE or PVC jacket.
 - Max 4/C No. 10 AWG copper conductor, aluminum clad or steel clad (BX) cable.
 - Max 110/125 fiber optic (F.O.) cable with PVC insulation and jacket.
 - Type RG/U coaxial cable with fluorinated ethylene insulation and jacket.

FIRESTOP DETAIL 5 CHASE WALL SCHEMATIC LSF WALL FRAMING

