

FIRESTOP LISTINGS

RATED FIRESTOPS FOR PIPES, CONDUIT, AND CABLES

Firestop details 1 through 9 illustrate how pipe, conduit, or cable penetrations can be accomplished using firestop systems that are UL Listed for the US, a summary of which is presented in Table 1. For detailed installation information, see the associated UL listing.

TABLE 1. FIRESTOP DESIGNS, UL LISTED FOR THE US



Penetrant	Max. Size	Ratings (Hours)				Listing
		F	T	L _{AT AMBIENT}	L _{AT 400° F}	
ABS Pipe	2" Ø	1	0	<1	<5	F-C-2406
	3" Ø	1	1	<1	<1	F-C-2405***
	4" Ø	1	0	<1	<5	F-C-2025
Cable Bundle*	2" Ø	1	1	–	–	F-C-3100
Copper Pipe	4" Ø	1	0	<1	<3	F-C-1151
Copper Tubing	4" Ø	1	0	<1	<3	F-C-1151
CPVC Pipe	2" Ø	1	0	<1	<5	F-C-2406
	3" Ø	1	1/4	–	–	F-C-2028
	3" Ø	1	1	<1	<1	F-C-2405***
	4" Ø	1	0	<1	<5	F-C-2025
	4" Ø	1	1	–	–	F-C-2338
Iron Pipe (Cast or Ductile)	4" Ø	1	0	<1	<3	F-C-1151
PEX Tubing	2" Ø	1	0	<1	<5	F-C-2406
PVC Pipe	2" Ø	1	0	<1	<5	F-C-2406
	3" Ø	1	1/4	–	–	F-C-2028
	3" Ø	1	1	<1	<1	F-C-2405***
	4" Ø	1	0	<1	<5	F-C-2025
	4" Ø	1	1	–	–	F-C-2338
Rigid Non-metallic Conduit	2" Ø	1	0	<1	<5	F-C-2406
	3" Ø	1	1/4	–	–	F-C-2028
	4" Ø	1	0	<1	<5	F-C-2025
	4" Ø	1	1	–	–	F-C-2338
Steel Pipe	4" Ø	1	0	<1	<3	F-C-1151
Steel Tubing (Conduit)	4" Ø	1	0	<1	<3	F-C-1151
XFR Pipe	3" Ø	1	1	<1	<1	F-C-2405***
	4" Ø	1	0	<1	<5	F-C-2025

F - Fire Rating

T - Fire and Temperature Rating

L - Leakage Rate (CFM/SQ FT)

NOTES

* See detail for allowable cables.

** Numerous listings are available, contact iSPAN Systems LP for more information

*** Branch pipe optional

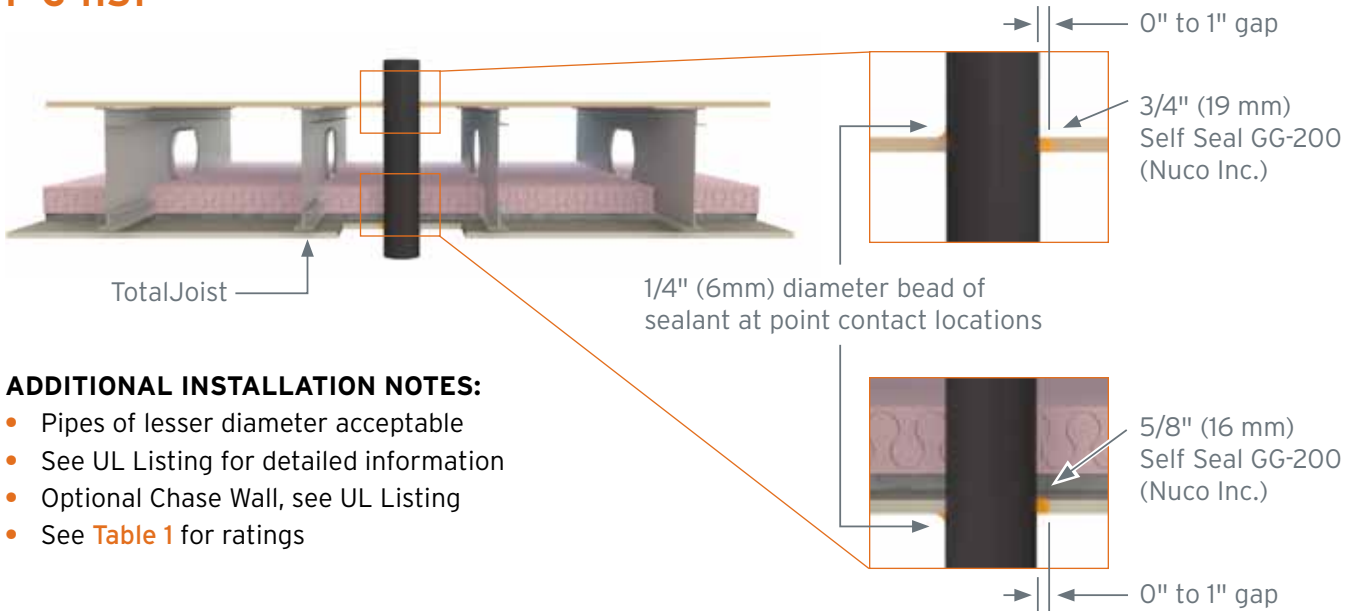
FIRESTOP LISTINGS

PENETRATION DETAILS

FIRESTOP DETAIL 1

4" COPPER, STEEL, EMT, IRON PIPE

F-C-1151



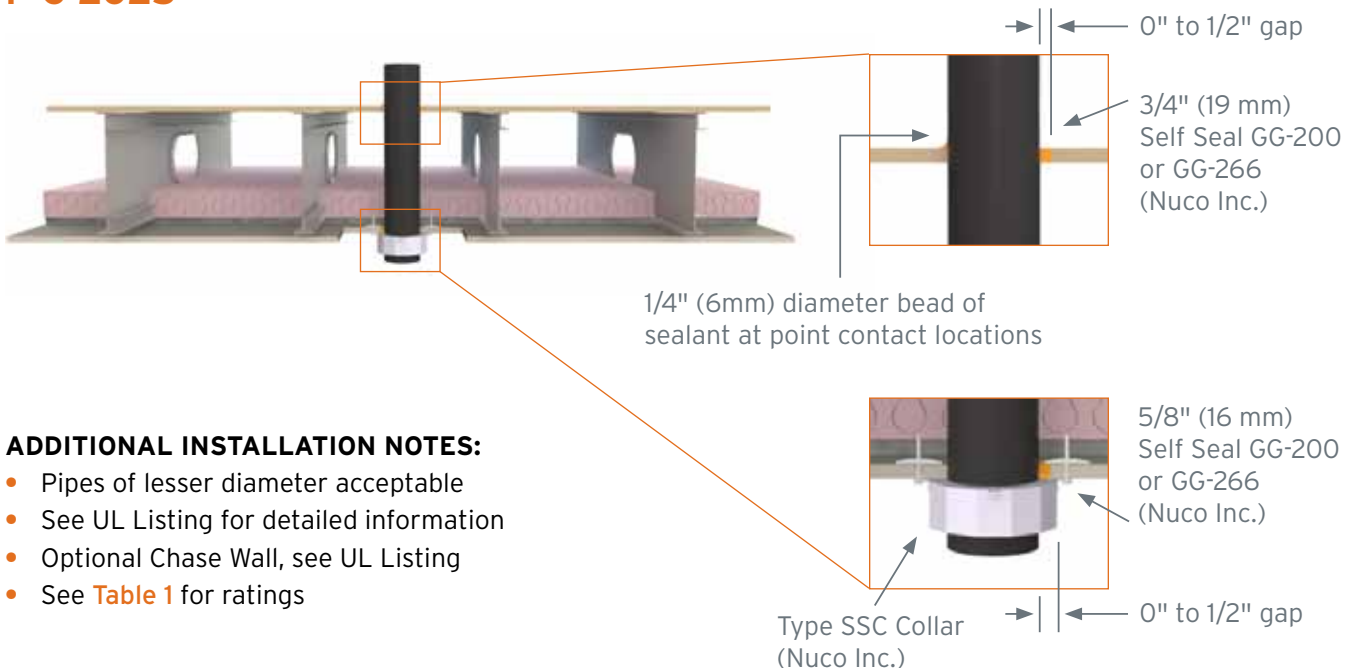
ADDITIONAL INSTALLATION NOTES:

- Pipes of lesser diameter acceptable
- See UL Listing for detailed information
- Optional Chase Wall, see UL Listing
- See **Table 1** for ratings

FIRESTOP DETAIL 2

4" PVC, XFR, ABS, CPVC PIPE

F-C-2025



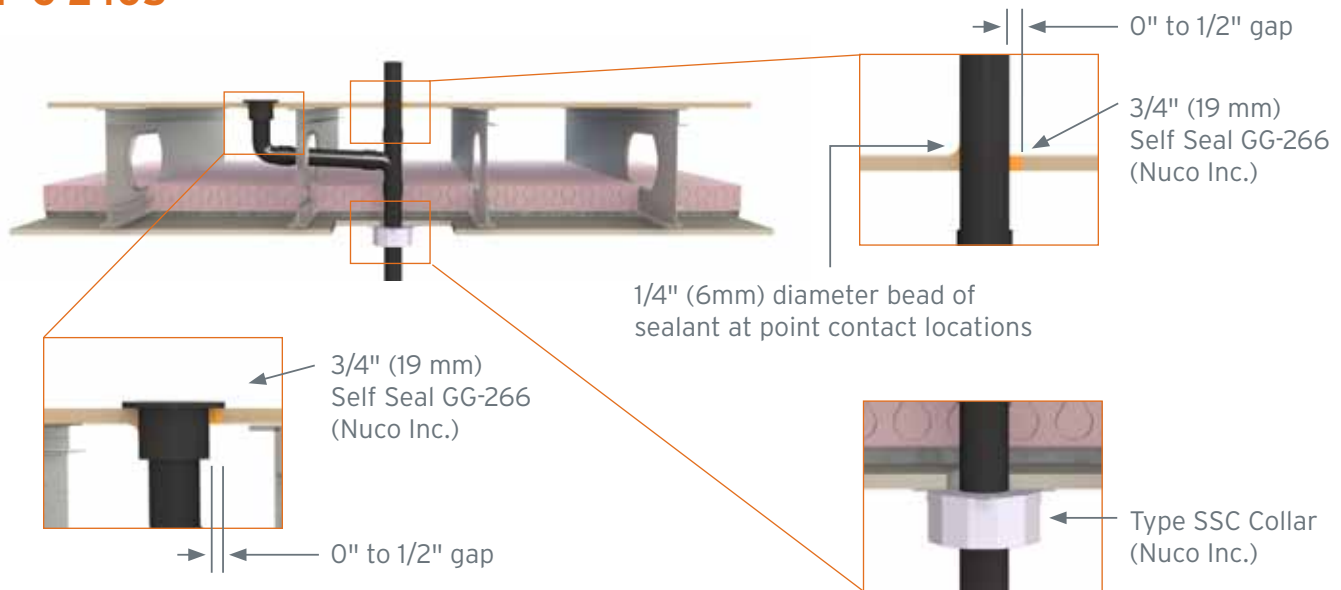
ADDITIONAL INSTALLATION NOTES:

- Pipes of lesser diameter acceptable
- See UL Listing for detailed information
- Optional Chase Wall, see UL Listing
- See **Table 1** for ratings

FIRESTOP LISTINGS

FIRESTOP DETAIL 3

3" PVC, CPVC, ABS OR XFR PIPE WITH 3" BRANCH (2" P-TRAP OPTIONAL) F-C-2405

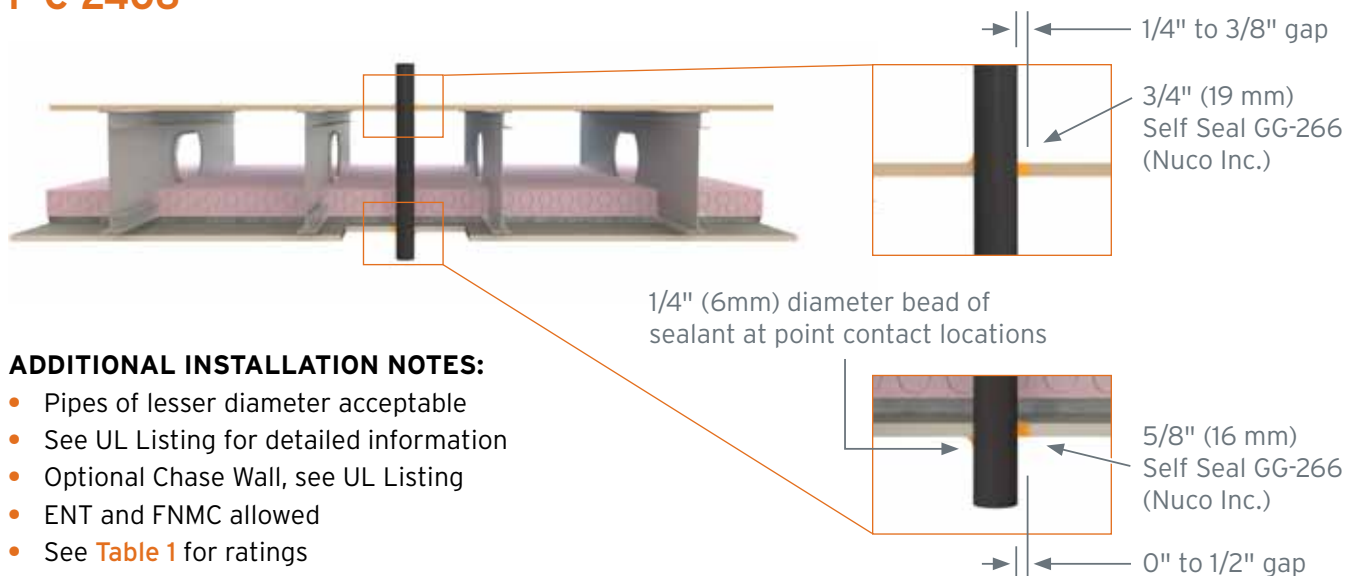


ADDITIONAL INSTALLATION NOTES:

- Pipes of lesser diameter acceptable
- See UL Listing for detailed information
- Optional Chase Wall, see UL Listing
- See [Table 1](#) for ratings

FIRESTOP DETAIL 4

2" PEX, PVC, CPVC OR ABS PIPE F-C-2406

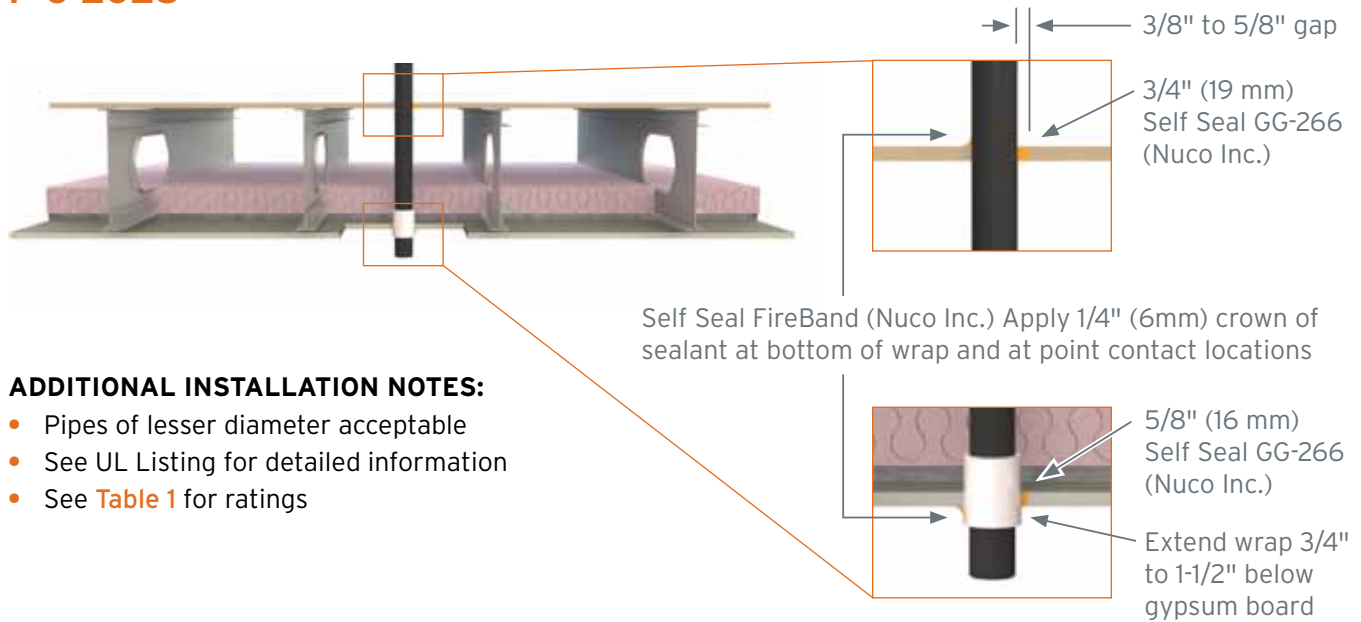


ADDITIONAL INSTALLATION NOTES:

- Pipes of lesser diameter acceptable
- See UL Listing for detailed information
- Optional Chase Wall, see UL Listing
- ENT and FNMC allowed
- See [Table 1](#) for ratings

FIRESTOP LISTINGS

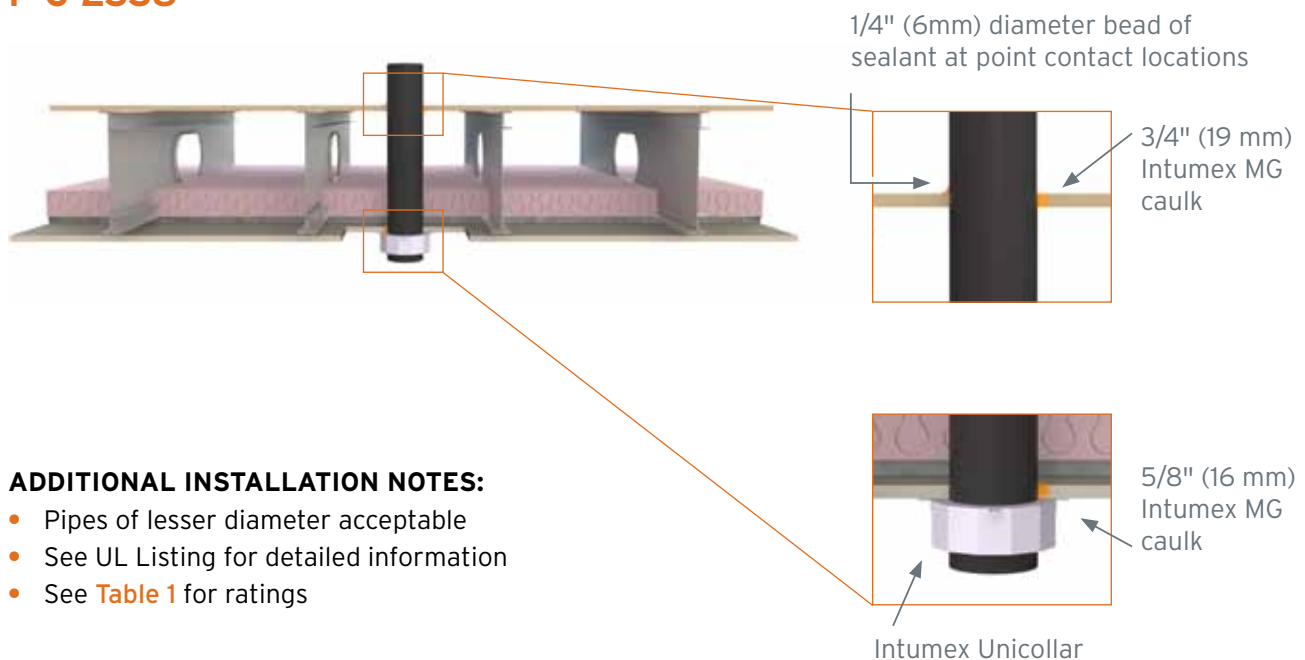
FIRESTOP DETAIL 5 3" PVC, CPVC PIPE F-C-2028



ADDITIONAL INSTALLATION NOTES:

- Pipes of lesser diameter acceptable
- See UL Listing for detailed information
- See [Table 1](#) for ratings

FIRESTOP DETAIL 6 4" PVC, CPVC PIPE F-C-2338



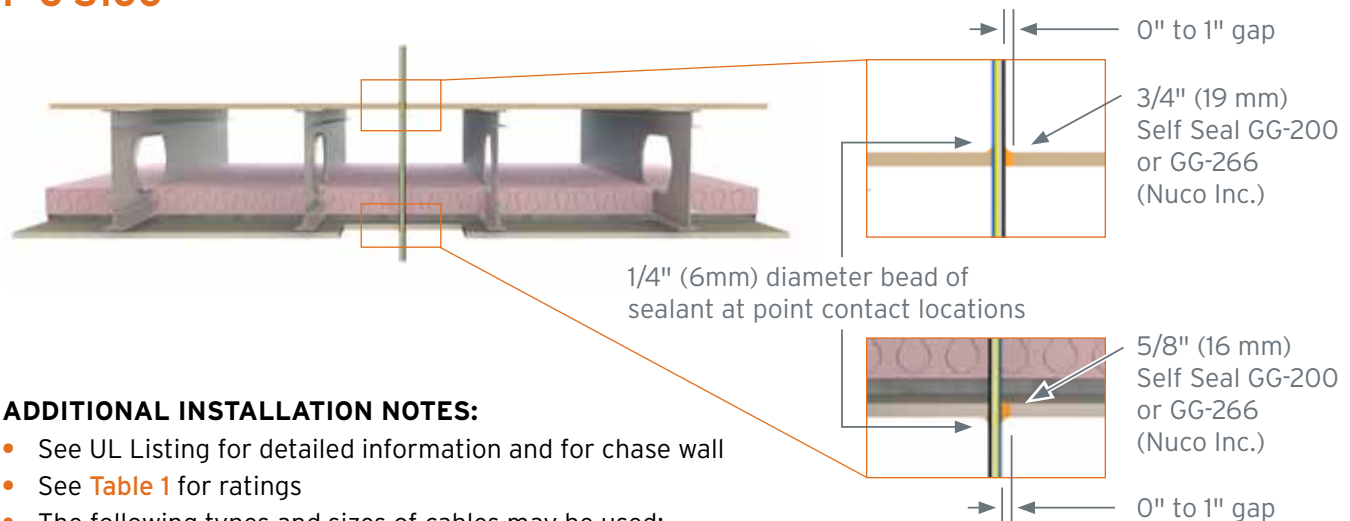
ADDITIONAL INSTALLATION NOTES:

- Pipes of lesser diameter acceptable
- See UL Listing for detailed information
- See [Table 1](#) for ratings

FIRESTOP LISTINGS

FIRESTOP DETAIL 7 ELECTRIC CABLES

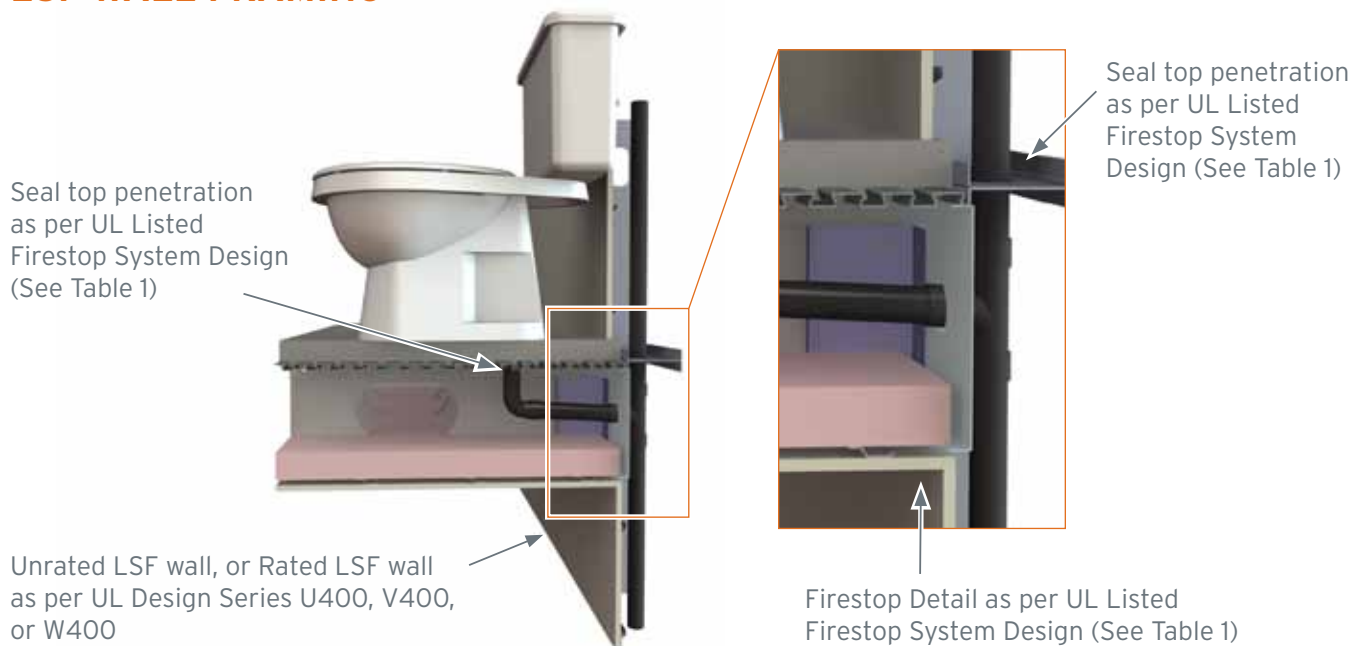
F-C-3100



ADDITIONAL INSTALLATION NOTES:

- See UL Listing for detailed information and for chase wall
- See [Table 1](#) for ratings
- The following types and sizes of cables may be used:
 - Max 25 pair No. 22 AWG (or smaller) copper conductor with polyvinyl chloride (PVC) insulation and jacketing material.
 - Max 7/C No. 12 AWG (or smaller) copper conductor power and control cables with XLPE or PVC insulation with XLPE or PVC jacket.
 - Max 4/C No. 10 AWG (or smaller) copper conductor, aluminum clad or steel clad (BX) cable.
 - Max 110/125 fiber optic (F.O.) cable with PVC insulation and jacket.
 - Max 3/C with ground No. 12 AWG (or smaller) copper conductor NM cable with PVC insulation and jacket.
 - Type RG/U coaxial cable with fluorinated ethylene insulation and jacket.

FIRESTOP DETAIL 8 CHASE WALL SCHEMATIC LSF WALL FRAMING



FIRESTOP LISTINGS

FIRESTOP DETAIL 9 CHASE WALL SCHEMATIC WOOD WALL FRAMING

