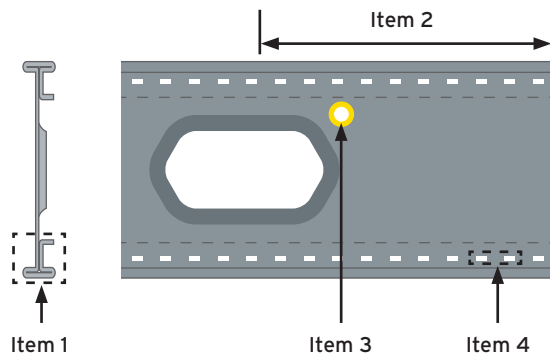


FIELD REVIEW CHECKLIST

This checklist is a limited set of suggested items to review. The approved design drawings shall always govern the design of a job. **Should there be a conflict between the drawings, including assumed substrate, and the field observation, immediately bring to the attention of iSPAN Systems LP.**

GENERAL OBSERVATIONS



- | Y | N | |
|--------------------------|--------------------------|---|
| <input type="checkbox"/> | <input type="checkbox"/> | The joist section has a wing on one side only (Item 1). |
| <input type="checkbox"/> | <input type="checkbox"/> | Electrical wiring is separated from sheared edges of joist (Item 3) by grommet or other acceptable device. |
| <input type="checkbox"/> | <input type="checkbox"/> | Welded areas, if any, are touched up with a zinc rich paint. |
| <input type="checkbox"/> | <input type="checkbox"/> | None or only minor amount of red rust observed.
(Note, red rust, if present, is typically minor and will not impact joist performance, contact iSPAN Systems LP to confirm.) |
| <input type="checkbox"/> | <input type="checkbox"/> | None or only minor amount of white scaling observed. |
| <input type="checkbox"/> | <input type="checkbox"/> | The lapped section is fastened together using clinches (Item 4). |

LAYOUT

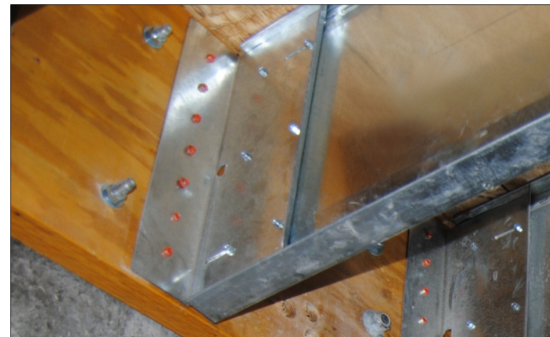
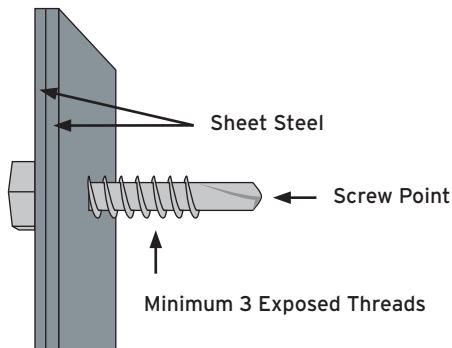
- | Y | N | |
|--------------------------|--------------------------|--|
| <input type="checkbox"/> | <input type="checkbox"/> | Joists are installed in proper location as per approved design drawings. |
| <input type="checkbox"/> | <input type="checkbox"/> | Joist marks are placed over correct support according to approved design drawings. |
| <input type="checkbox"/> | <input type="checkbox"/> | Joists are correct depth as per the approved design drawings. |
| <input type="checkbox"/> | <input type="checkbox"/> | Joists are spaced correctly as per the approved design drawings. |
| <input type="checkbox"/> | <input type="checkbox"/> | Factory punched holes are no closer than 24" from support locations (Item 2). |
| <input type="checkbox"/> | <input type="checkbox"/> | Joists are installed plumb and level (unless designed for slope). |
| <input type="checkbox"/> | <input type="checkbox"/> | Joists have min. 1-3/4" bearing at ends and min. 3-1/2" bearing for interior supports. |
| <input type="checkbox"/> | <input type="checkbox"/> | Connectors are installed at all bearing locations unless specifically noted as not required in drawings. |
| <input type="checkbox"/> | <input type="checkbox"/> | Bridging and blocking are installed continuously as shown on approved drawings. |
| <input type="checkbox"/> | <input type="checkbox"/> | Bridging tied off to structural walls / beams. |
| <input type="checkbox"/> | <input type="checkbox"/> | Holes in floors and cantilevers are framed in accordance with approved design drawings. |
| <input type="checkbox"/> | <input type="checkbox"/> | Sweep in joist does not exceed 1/1000th of joist length. |

JOIST CONDITION

- | Y | N | | Y | N | |
|--------------------------|--------------------------|--|--------------------------|--------------------------|--|
| <input type="checkbox"/> | <input type="checkbox"/> | Joists are in good condition, i.e. no damage. | <input type="checkbox"/> | <input type="checkbox"/> | Field cut holes greater than 2" are reinforced in accordance with approved detail. |
| <input type="checkbox"/> | <input type="checkbox"/> | Joist chords have not been cut. | <input type="checkbox"/> | <input type="checkbox"/> | Factory punched web hole reinforcement (Item 2) is not cut. |
| <input type="checkbox"/> | <input type="checkbox"/> | Field cut holes, if present, are less than 2" and are only cut into the web. | | | |

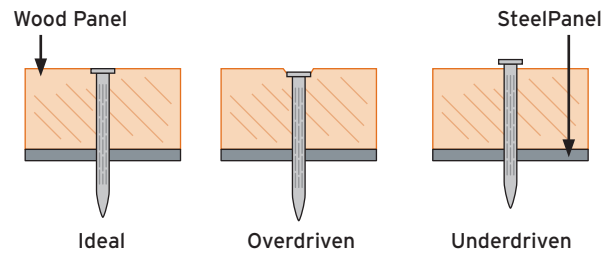
FIELD REVIEW CHECKLIST

CONNECTIONS



- | | | |
|--------------------------|--------------------------|--|
| Y | N | |
| <input type="checkbox"/> | <input type="checkbox"/> | Screw sizes and quantities are in accordance with approved design drawings. |
| <input type="checkbox"/> | <input type="checkbox"/> | Screws are installed such that three threads are exposed on backside. |
| <input type="checkbox"/> | <input type="checkbox"/> | Fastened parts are tight and flush. |
| <input type="checkbox"/> | <input type="checkbox"/> | All screw heads are intact, i.e. no popped heads. |
| <input type="checkbox"/> | <input type="checkbox"/> | Screws are not stripped. |
| <input type="checkbox"/> | <input type="checkbox"/> | Screws are installed min. 1/2" from edge of steel and min. 3/4" from adjacent screws.
(Note, as measured to the center of the screw.) |

- | | | |
|--------------------------|--------------------------|--|
| Y | N | |
| <input type="checkbox"/> | <input type="checkbox"/> | Screws used for shear connections into wood beams are correct type (as indicated by orange painted head).
(Note, applies to joists in shear connections and not to platform framed joists.) |
| <input type="checkbox"/> | <input type="checkbox"/> | Welding performed by qualified welder based on jurisdiction. |



- | | | |
|--------------------------|--------------------------|---|
| <input type="checkbox"/> | <input type="checkbox"/> | Pneumatically driven fasteners (nails) properly installed, i.e not overdriven or underdriven. |
| <input type="checkbox"/> | <input type="checkbox"/> | All fasteners have galvanized or equivalent coating. |

NOTES:

- 1) Field reviews are conducted on a sampling basis to review general conformity with the approved design drawings. The field review is not intended as an inspection, see note 2.
- 2) Constructor is responsible for the safe and proper installation of the project in accordance with all the approved design drawings.
- 3) Review all details of approved design drawings prior to conduction field review. Add or remove items to be reviewed as required based on drawings.
- 4) For the purpose of this guideline, "approved" drawings or design drawings is intended to mean the set of drawings approved by the design professional and / or building official that formed the basis for the contract.
- 5) If the answer to any of the questions above is no, contact iSPAN Systems LP.